

P:\SW-Ftek\Tango XL 5750\

Drawn by: KA	Date: 26-11-2025
Revised: - /KA	Date: -
Revised: - /KA	Date: -
Copyright reserved by law	Unit of measurement: mm

Overview parts Tango XL

Lopital Nederland bv

Draw. no.: EXPV5750-2025-01

Tango XL, Article no: 5100 5750

Part no.	Art.no.	QTY.	Name	Drawing no.
1	70575001	1	Seat frame	5750-11.1
2		1	Armrest set XL	5750 - Armlegger
3		1	Footrest set XL/XXL	Voetsteun XL
4	70595006	2	Seat part XL	5950-20
5	70595007	1	Backrest XL	5950-21
6	70560066	4	Protective cover castor	5600-48
7	70519931	2	Clamp set footrest blue	5500-24
8	70595009	1	Guide for po set XL	5950-17
9	70519928	3	Castor Ø 125 mm braked	Manner 301875 125 mm - 20131211
10	70570508	1	Directional Castor Ø 125 mm braked	Manner richtingswiel 125 mm
11	70602006	8	Snaploc	Snaploc 4029 007 0601
12		2	Tube cap Ø30	Insteekdop rond 32 grijs
13		4	Screw M5x6 ISO7380 A2	M5x6 ISO7380
14		8	Screw M6x10 DIN965 A2	M6x10 DIN965
15		4	Screw M10x45 DIN912 A2	M10x45 DIN912
16		4	Screw M8x35 DIN912 A2	M8x35 DIN912
17		4	Washer M5 Ø15 DIN9012 A2	Carrosseriering M5 DIN9021 A2
18		4	Washer M6 DIN125 A2	M6 DIN 125
19		4	Nord-Lock M10	Nord-Lock M10
20		4	Locknut M8 DIN985 A2	M8 DIN985
21		4	Locknut M6 DIN985 A2	M6 DIN985
22		4	Nut cap M6	Moerkap M6



P:\SW-Tek\Tango XL 5750\

Drawn by: KA	Date: 26-11-2025
Revised: - /KA	Date: -
Revised: - /KA	Date: -

Overview parts Tango XL

Copyright reserved
by law

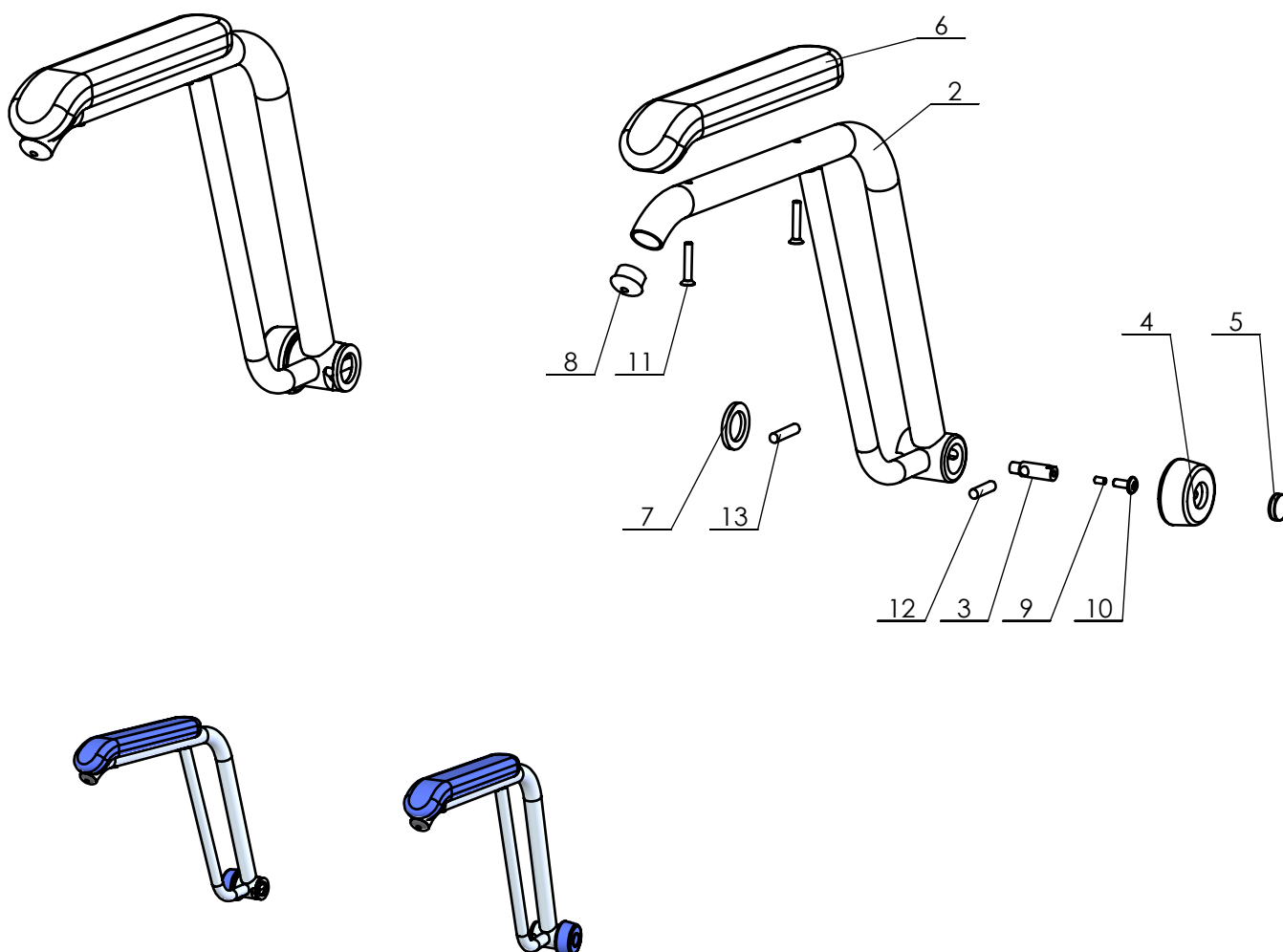
Unit of measure-
ment: mm

Lopital Nederland bv

Draw. no.: EXPV5750-2025-01

Armrest set XL

Part no.	Art.no.	QTY.	Name	Drawing no.
1	70590006	1	Armrest frame set	5900-16.2
2	70590006	1	Frame armrest XL XXL set	5900-16.2LR
3	70590046	2	Round bar armrest	5900-37.1
4	70590047	2	Unlock button armrest	5900-38
5	70820013	2	Cap	8200-23.1
6	70570503	2	Armrest PU	Froli armsteun - 5457-50 32 mm
7		2	Washer M25 DIN433 PA	M25 DIN 433 PA
8		2	Tube cap Ø28	Insteekdop rond 28 grijs
9		2	Screw M5x10 DIN914 A2	M5x10 DIN 914
10		2	Screw M6x16 ISO7380 A2	M6x16 ISO7380
11		4	Screw M6x35 DIN7991 A2	M6x35 DIN7991
12		2	Cylindric pin Ø8x30 DIN7	8x30 DIN 7
13		2	Cylindric pin Ø8x36 DIN7	8x36 DIN 7 m6



P:\SW-Tek\00 Stroel onderdelen\Armlegger XL 5750\

Draw by:	KA	Date	27-11-2025
Revised	- /KA	Date	-
Revised	- /KA	Date	-

Overview parts Armrest set XL

Copyright reserved
by law

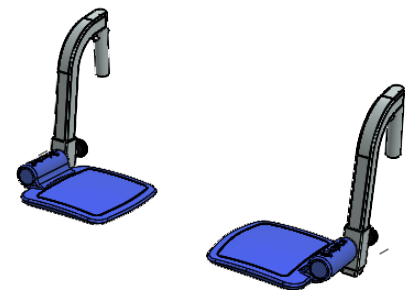
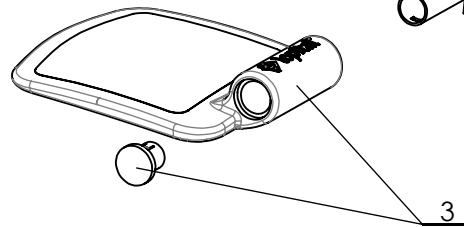
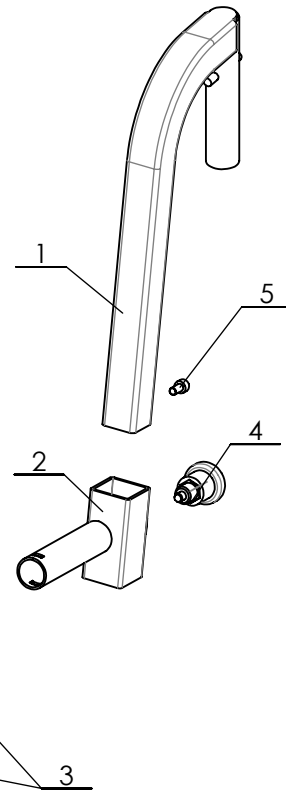
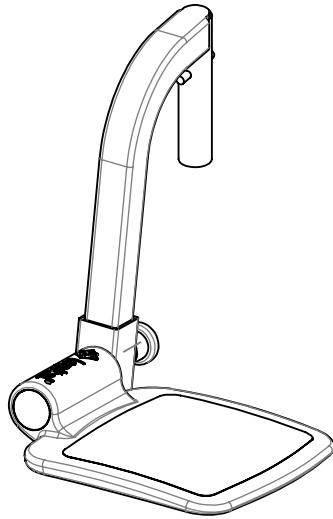
Unit of measure:
mm

Lopital Nederland bv

Draw. EXPVArmleggerXL-2025-01
no.:

Footrest set XL

Part no.	Art.no.	QTY.	Name	Drawing no.
1	70595005	2	Footrest frame XL	5950-15
2	70590007	2	Footplate frame	5900-23
3	70570004	2	Footplate + cap	0004-01
4	70530029	2	Pull knob M12x1.5	Trekknop M12x1.5 - Kort
5		2	Screw M5x10 DIN912 A2	M5x10 DIN912



P:\SW-Fek\00 Stoei onderdelen\Voetsteun XL

Drawn by: KA	Date	27-11-2025
Revised - /KA	Date	-
Revised - /KA	Date	-

Overview parts Footrest set XL

Copyright reserved
by law

Unit of measure:
mm

Lopital Nederland bv

Draw. no.: EXPVvoetsteunXL-2025-01